

REDUCE PART MARKING

WILA ROTABEND®



WILA ROTABEND®

WILA prides itself on producing the finest quality and highest precision press brake tooling, and it makes no exception with its new line of rotating v dies, RotaBend. With tight tolerances and CNC Deephardened contact surfaces and rotor wings, you can now easily bend short flanges and reduce part marking without sacrificing the WILA quality and precision you've come to expect.

WILA RotaBend includes replaceable built-in inserts that rotate to enable forming of short or tapered flanges.

Advantages of WILA RotaBend:

- Eliminate distortion at holes near the bend line,
- Reduces part marking,
- Forms very tight inside radius when required,
- Rotor wings and contact surface of the body are hardened ensuring long term durability and accuracy,
- Rotor wings are very easy to disassemble and clean,
- Machined to extremely tight tolerances for ultimate precision,
- Narrow tool design for down flange bending freedom,
- Bend parts of various material thickness with same tool,
- Can be combined with OM tools for bending 90° angles.



THREE DIFFERENT MODELS

WILA introduces its line of RotaBend, available in three models for bending up to 6mm material thickness.

OZU-WRB-301



OZU-WRB-302



OZU-WRB-303

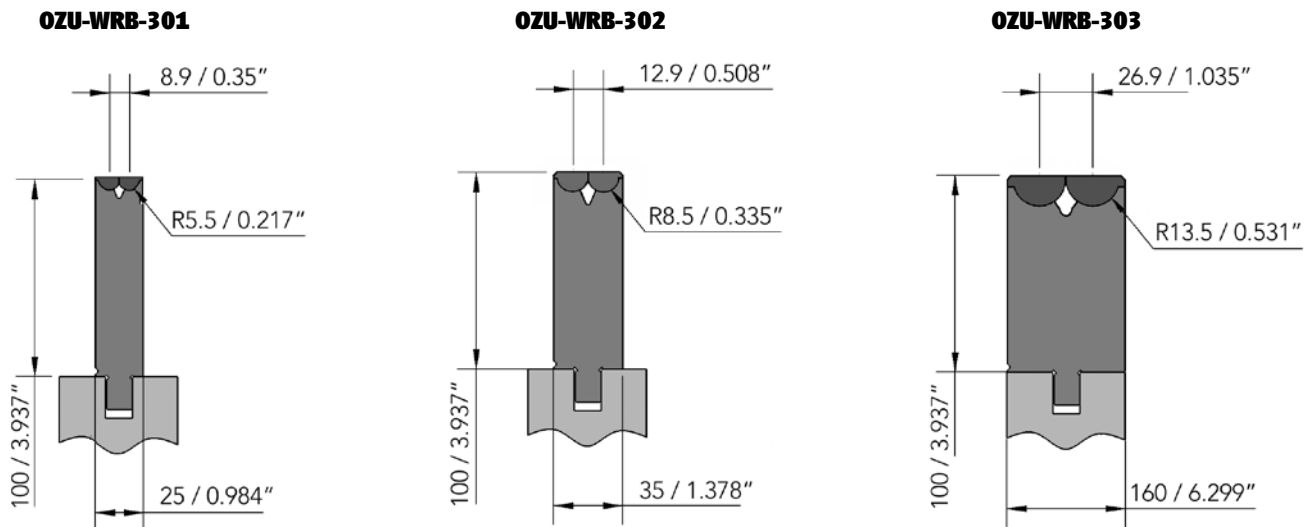


| | OZU-WRB-301 | OZU-WRB-302 | OZU-WRB-303 |
|----------------------------------|--|--|------------------------------------|
| Max. material thickness | 2 mm / 0.079" | 3 mm / 0.118" | 6 mm / 0.236" |
| Wing rotor opening | 8.9 mm / 0.35" | 12.9 mm / 0.508" | 26.3 mm / 1.035" |
| Max. punch radius | 2.4 mm / 0.094" | 3 mm / 0.118" | 6 mm / 0.236" |
| Min. outside flange length* | 5.2 mm - 5.9 mm / 0.205" - 0.232" | 6.5 mm - 8 mm / 0.256" - 0.315" | 15.5 mm - 16.6 mm / 0.61" - 0.654" |
| Return bend | 13.5 mm / 0.531" | 19 mm / 0.748" | 32 mm |
| Min. bend angle** | 40° | 40-60° | 60° |
| Hardness of wing rotor | 56-60 HRC | 56-60 HRC | 56-60 HRC |
| Hardness of body contact surface | 52-54 HRC | 52-54 HRC | 52-54 HRC |
| Working height*** | 100 mm / 3.937" | 100 mm / 3.937" | 100 mm / 3.937" |
| Bottom adaption width | 13 mm / 0.512" | 13 mm / 0.512" | 13 mm / 0.512" |
| Tonnage capacity | 100 t/m / 33.6 t/ft | 130 t/m / 43.7 t/ft | 200 t/m / 67.2 t/ft |
| Available lengths | 515 mm 550 mm sectioned 200 mm 100 - 100 mm | 515 mm 550 mm sectioned 200 mm 100 - 100 mm | 515 mm 200 mm 100 - 100 mm |

* These dimensions are outside dimensions and apply to bending mild steel at 90°. Dimensions can change with stainless steel and aluminum.

** Minimum bend angle may vary depending material and punch radius.

*** Can be combined with OM tools for bending 90° angles.



WILA. THE PRESS BRAKE PRODUCTIVITY PEOPLE.

WILA is totally focused on providing a line of products and support systems to maximize the productivity of your press brakes. For over 80 years, WILA has specialized in Clamping Systems, Crowning Systems and Tooling and Accessories to reduce set-up time and improve accuracy of the press brake. Through strong partnerships with the world's leading press brake manufacturers, an extensive and trained dealer network, long experienced regional managers, dedicated application support and engineering staff, WILA is always close at hand to support your needs.

WILA USA

7380 Coca Cola Drive
Hanover, MD 21076
Phone: 443-459-5496
Phone sales: 1-888-696-9452
Fax: 443-459-5515
E-mail: info@wilausa.com



PRESS BRAKE PRODUCTIVITY CATALOG

Request a copy of the Press Brake Productivity Catalog at www.wilausa.com

www.wilausa.com

 **WILA**
SINCE 1932
THE PRESS BRAKE PRODUCTIVITY PEOPLE